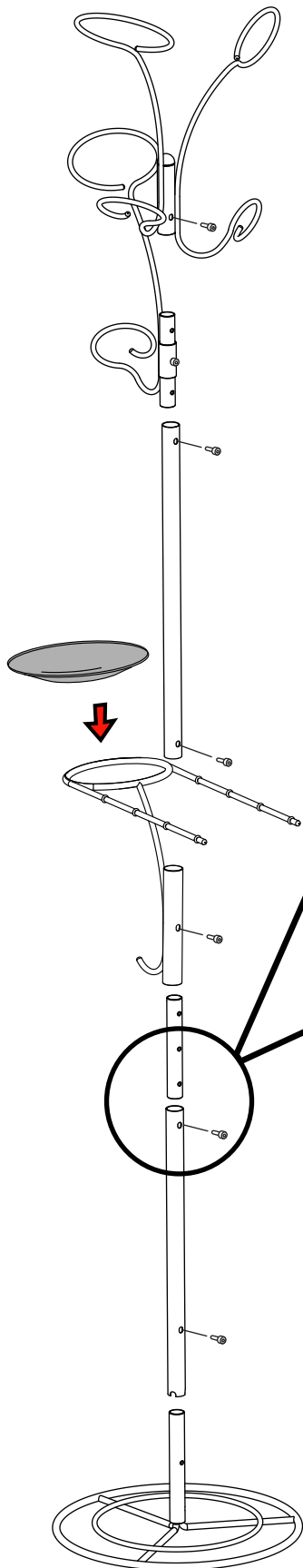


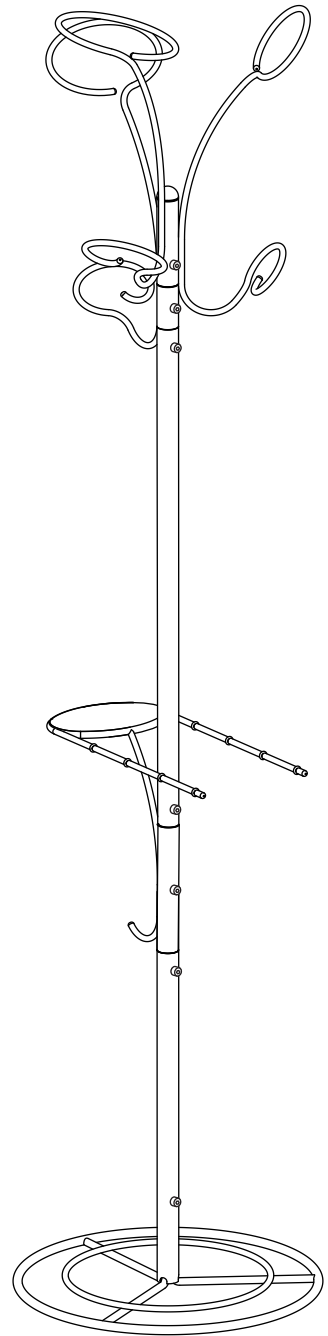
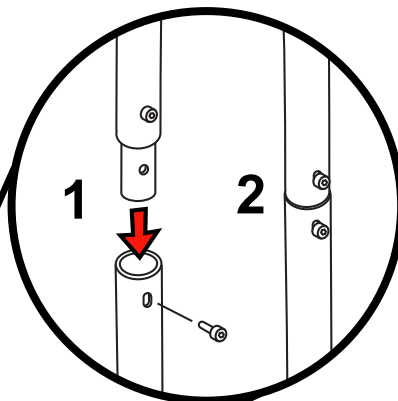
CUSTOMER SERVICE : 1-800-474-6615
Please Call if you have any problems.



IMPORTANT WARNING:

**DO NOT EXCEED MAXIMUM
TOTAL WEIGHT LIMIT OF
75 LBS (34KG)
MAX LOAD Per Hook
25 LBS (11.25KG)**

**TO AVOID INJURY, DO NOT
OVERLOAD ONE SIDE OF THE RACK.
EVENLY DISTRIBUTE WEIGHT ON
ALL OF THE HOOKS.**



ASSEMBLY TIPS:

1. Assemble from bottom to top.
2. Wait until all parts of rack are assembled before fully tightening bolts.



theartofstorage™

Delta Design Company
125 Washington St. Unit #7
Foxborough, MA 02035 USA
1.800.474.6615

REVEL RT5500
ASSEMBLY DIAGRAM

© Copyright 2008