



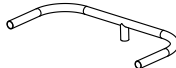

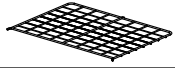







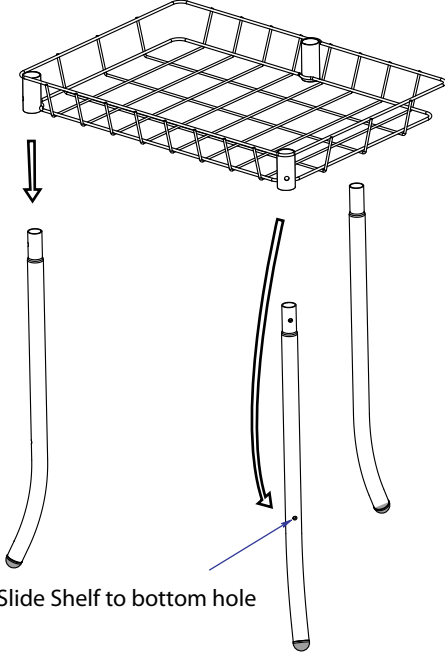
IMPORTANT: READ ENTIRE INSTRUCTION BEFORE ASSEMBLY

PARTS LIST

LEG X 3 	BOTTOM SHELF X 1 	EXTENSION TUBE X 4 	TOP BENT TUBES X 2 	TOP BACK BRACE X 1 
BOLT X 12 	TOP SHELF X 1 	CROSS BAR X 1 	MAIN ARMS X 2 	CROSS HOOKS X 2 
		RUBBER O RING X 2 		HOOKS X 4 

Insert the 3 leg tubes (rubber feet on bottom) into the support tubes on bottom shelf.

1

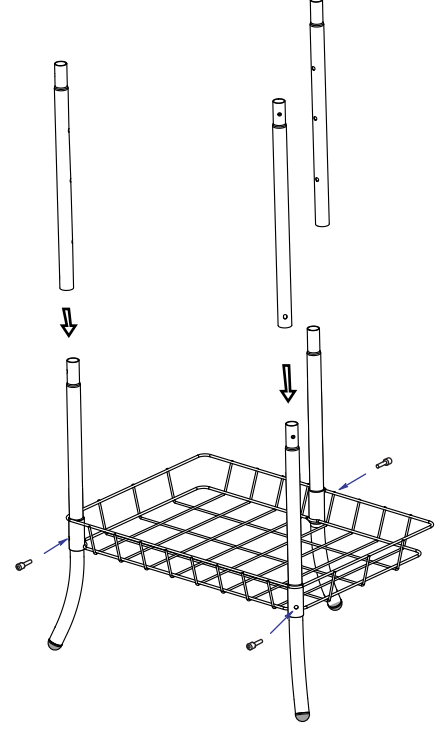


NOTE: Slide Shelf to bottom hole

HINT: Bolts should not be fully tightened until frame is fully assembled.

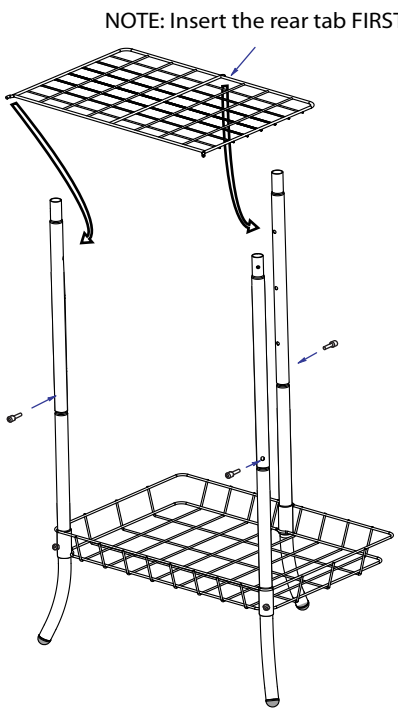
Fasten bolts into legs to hold bottom shelf in place. Insert extension tubes onto legs.

2



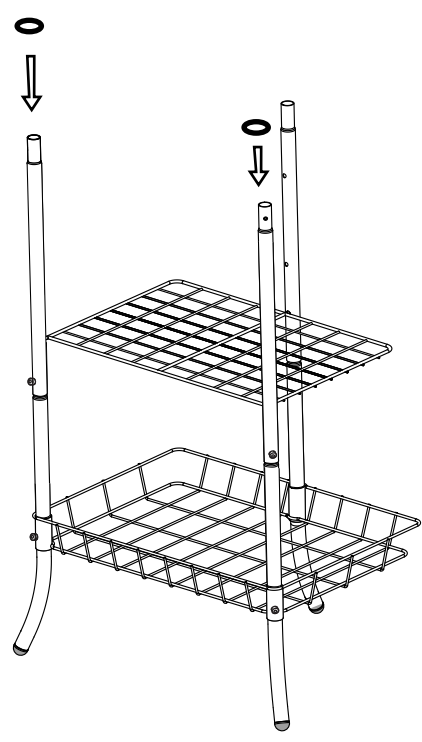
Fasten bolts into legs to hold extension tubes in place. Insert top shelf into desired position on extension tubes.

3



Insert O-rings and arms onto extension tubes.

4



 SEE OVER



Delta Cycle Corporation
125 Washinton Street
Foxborough, MA 02035 USA

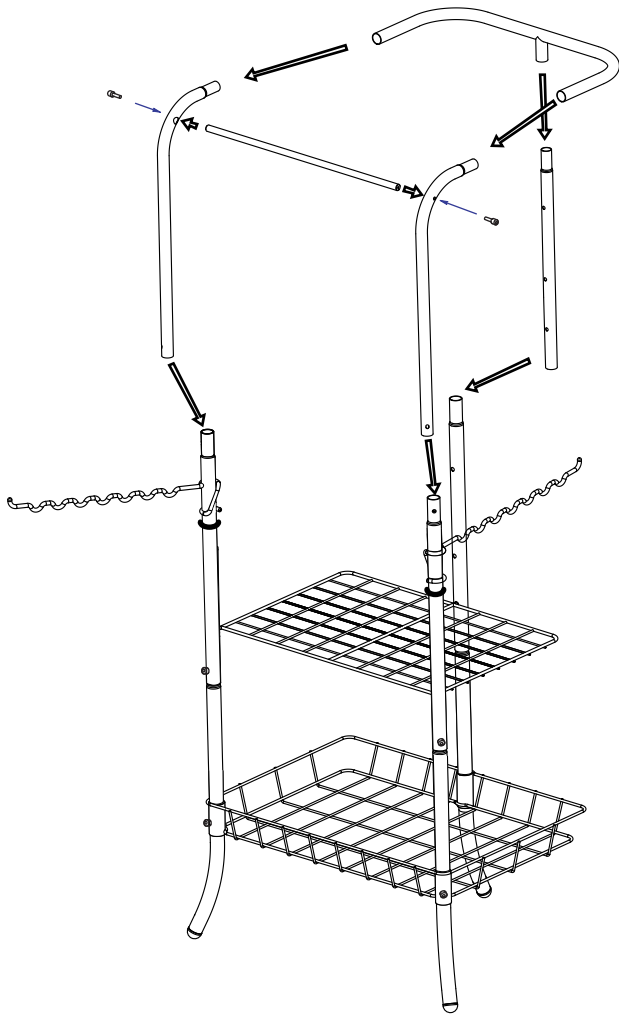
GOYA SHELF UNIT RS7500
ASSEMBLY DIAGRAM

© Copyright 2010

IMPORTANT: READ ENTIRE INSTRUCTION BEFORE ASSEMBLY

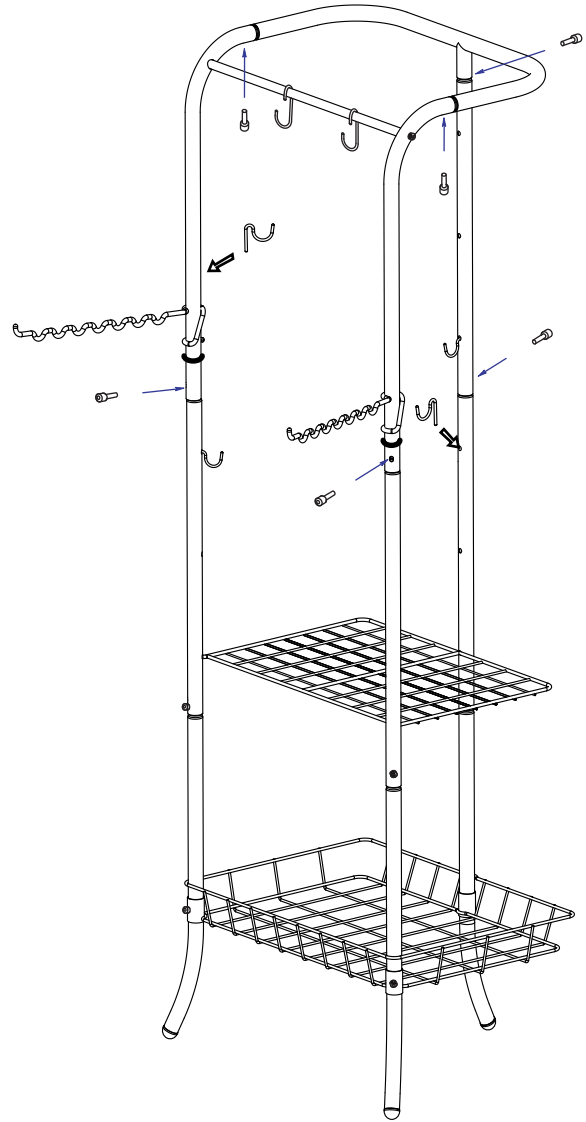
Connect the two top bent tubes with the cross bar and attach with bolts. Assemble the remaining frame parts as shown.

5



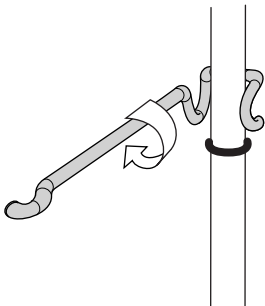
Attach 6 remaining bolts into frame and fully tighten all bolts. Attach accessory hooks in desired positions.

6

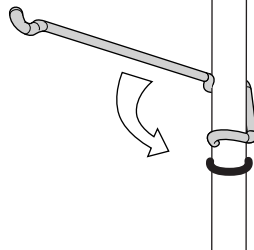


ARM ATTACHMENT DIAGRAM

1

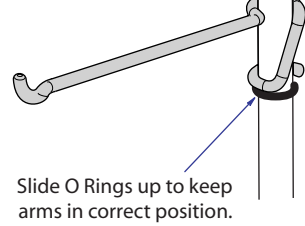


2



3

PATENTS PENDING
© Copyright 2010



Slide O Rings up to keep arms in correct position.

SEE OVER

Maximum load per shelf (spread evenly) xxxlbs xx Kgs

SAFETY WARNING: Do not use as a step ladder. Never allow children to climb on rack



Delta Cycle Corporation
125 Washinton Street
Foxborough, MA 02035 USA

GOYA SHELF UNIT RS7500
ASSEMBLY DIAGRAM

© Copyright 2010