

Delta Cycle Corporation
 21 Cocasset Street
 Foxborough, MA 02035 USA

MICHELANGELO RS6002
 Exploded Part Diagram

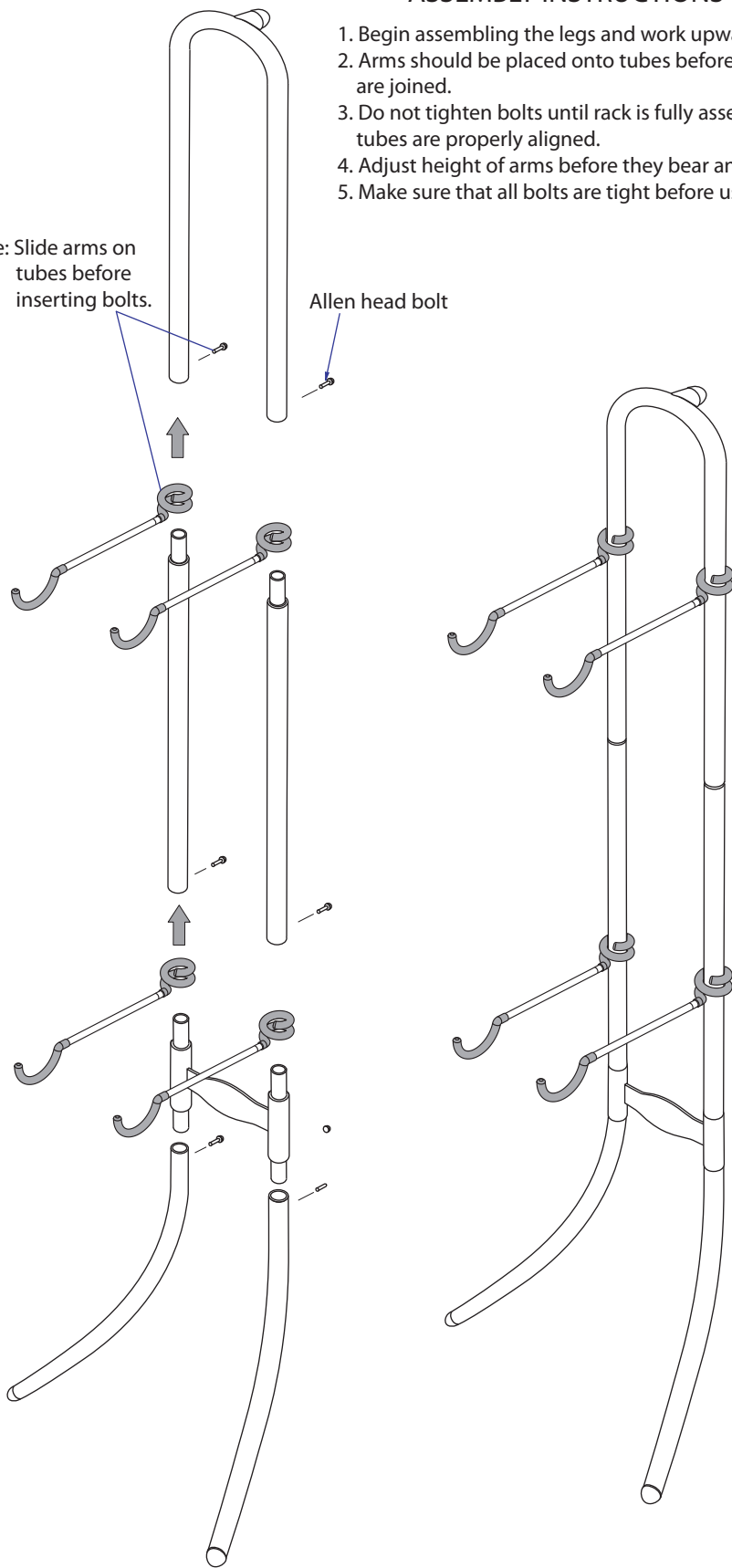
© Copyright 2008

ASSEMBLY INSTRUCTIONS

1. Begin assembling the legs and work upwards.
2. Arms should be placed onto tubes before they are joined.
3. Do not tighten bolts until rack is fully assembled and tubes are properly aligned.
4. Adjust height of arms before they bear any weight.
5. Make sure that all bolts are tight before using.

Note: Slide arms on tubes before inserting bolts.

Allen head bolt



IMPORTANT WARNING :

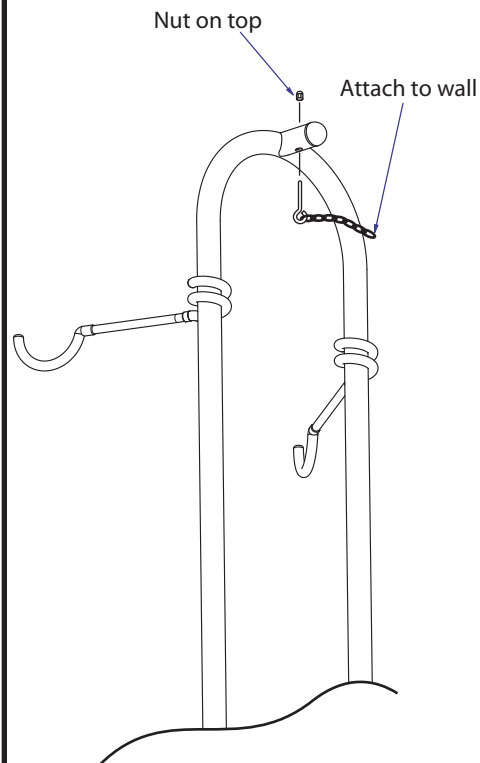
DO NOT EXCEED MAXIMUM
TOTAL WEIGHT LIMIT OF
100 LBS (45.4 Kgs)

MAX LOAD Per Hook
25 LBS (11.4 kgs)

MAX WEIGHT Per Bike
50 LBS (22.7 kgs)

IMPORTANT SAFETY

In order to avoid accidental toppling of the rack, a wall stabilizing chain is supplied. This should be attached to the rack at one end with the bolt provided. The other end of the chain should be secured to the wall using a screw that is suitable for the type of wall construction. If in doubt, consult your hardware merchant for the correct method of fixing based on the wall construction.



Delta Cycle Corporation
21 Cocasset Street
Foxborough, MA 02035 USA

MICHELANGELO RS6002
ASSEMBLY DIAGRAM

© Copyright 2006