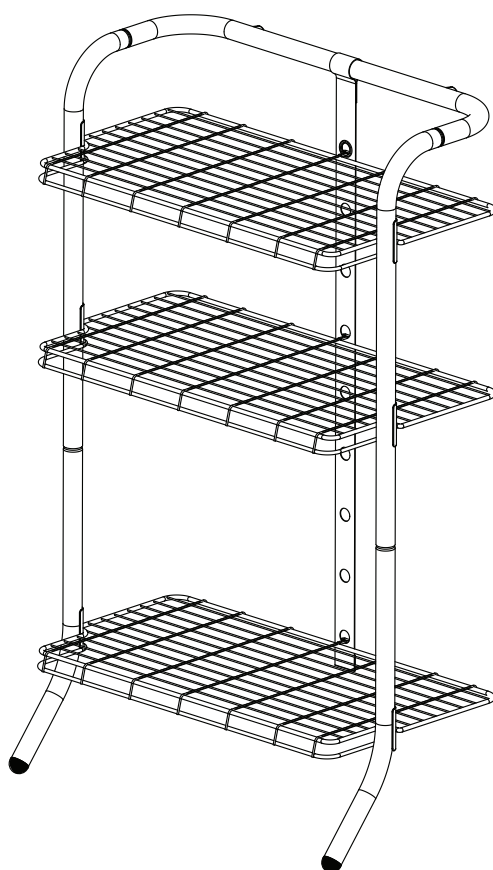


IMPORTANT: READ ENTIRE INSTRUCTION BEFORE ASSEMBLY

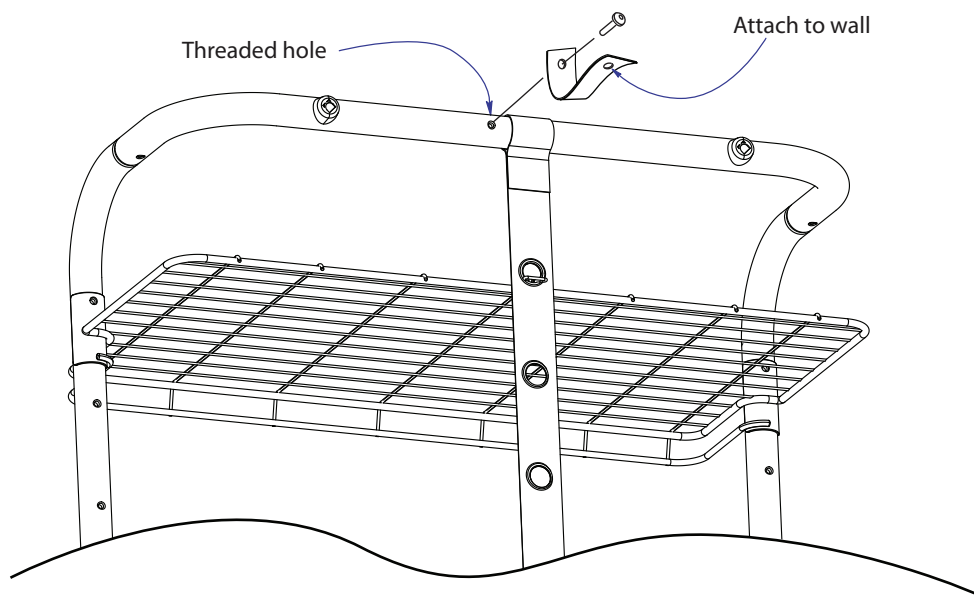
Stand shelving unit upright and lean against unobstructed wall so that shelves are level.

5



In order to avoid accidental toppling of the rack, a wall stabilizing strap is supplied. This should be attached to the rack at one end with the bolt provided. The other end of the strap should be secured to the wall using a screw that is suitable for the type of wall construction. If in doubt, consult your hardware merchant for the correct method of fixing based on the wall construction.

6



Maximum load per shelf (spread evenly) 165lbs (75Kgs)

Failure to follow instructions can reduce the strength of this rack and the load capacity.

SAFETY WARNING: Do not use as a step ladder. Never allow children to climb on rack.

SEE OVER



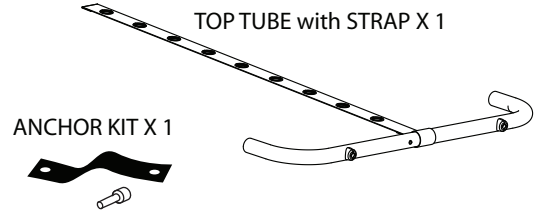
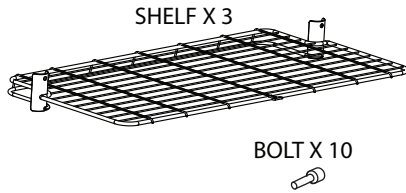
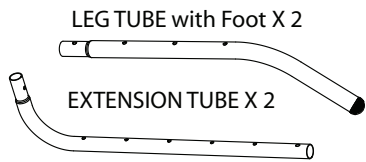
Delta Cycle Corporation
125 Washington Street
Foxborough, MA 02035 USA

3 SHELF UNIT WS1003
ASSEMBLY DIAGRAM

© Copyright 2010

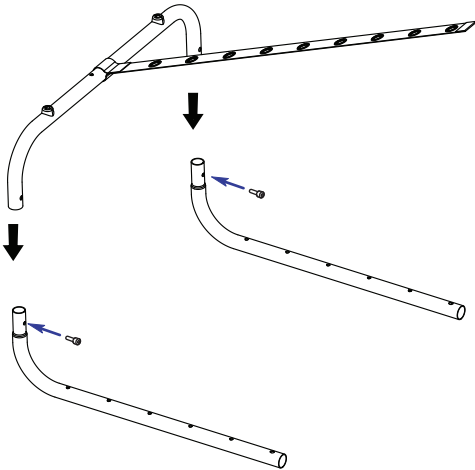
IMPORTANT: READ ENTIRE INSTRUCTION BEFORE ASSEMBLY

PARTS LIST



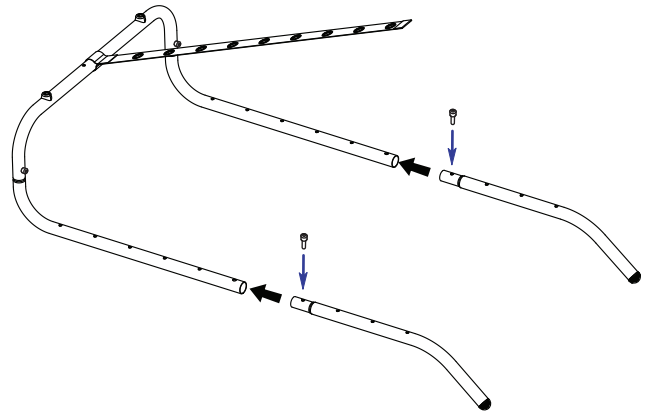
Insert extension tubes into top tubes, line up holes and screw in bolts.

1



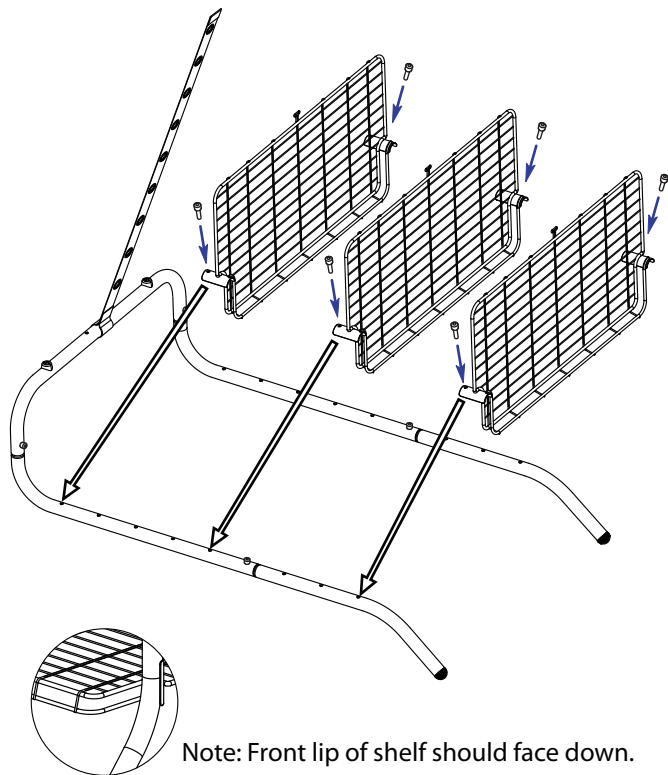
Insert leg tubes (rubber feet on bottom) into frame as shown, line up holes and screw in bolts.

2



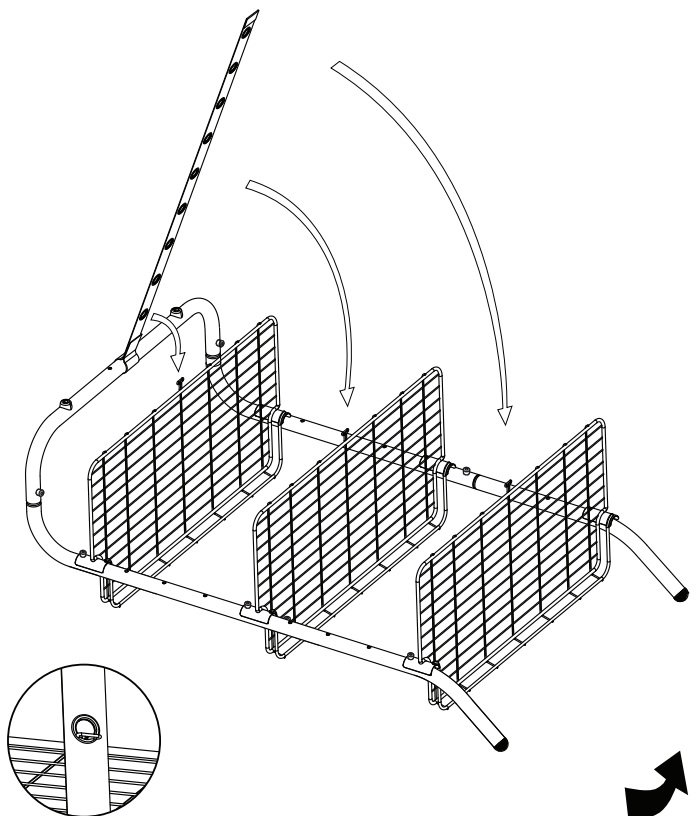
While frame assembly is face down on ground, determine shelf positions and attach shelves using bolts.

3



Hook each one of the shelves to the corresponding support hole in the strap.

4



SEE OVER



Delta Cycle Corporation
125 Washington Street
Foxborough, MA 02035 USA

3 SHELF LEANING UNIT DWS1003
ASSEMBLY DIAGRAM

© Copyright 2010